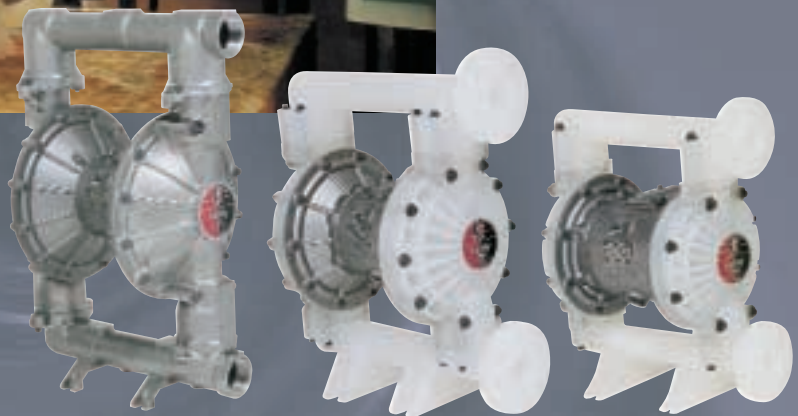
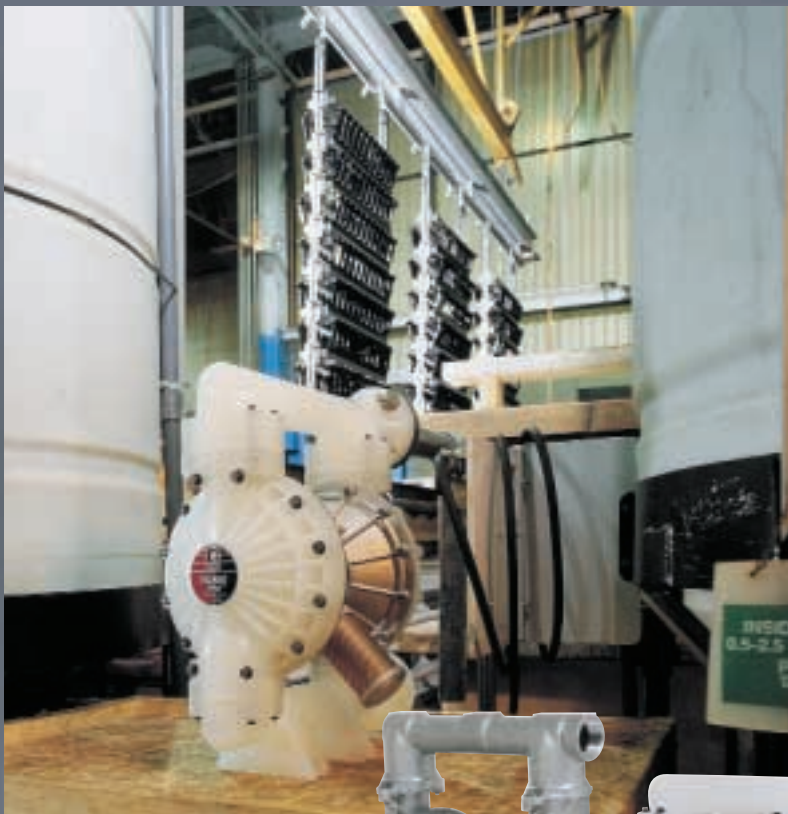




CORROSION RESISTANT

A complete line of Air-Operated Double Diaphragm Pumps for your aggressive fluids



PROCESS EQUIPMENT

PROVEN QUALITY. LEADING TECHNOLOGY.

A Pump For Your Most Corrosive Applications

HUSKY CORROSION RESISTANT

SODIUM HYDRO



Graco offers all of the sizes and materials of construction that you require for your applications, plus, more features than you ever expected, including standard and remote capabilities, stainless steel center sections, and one of the most reliable air valves in the industry. That's what makes our SST, Poly and Kynar pumps perfect for all of your applications. You won't find a more reliable line of Corrosion-Resistant pumps anywhere else!

Product Benefits:

- Diaphragms offer flow rates from 25-50% greater than many competitive pumps with Teflon® diaphragms.
- Available in Kynar (PVDF), Poly and SST construction.
- All models come standard with our patented dual cup air valve – one of the most reliable air valves in the market.
- Available in standard or remote capabilities.
- Longest warranty in the industry.

Key Materials

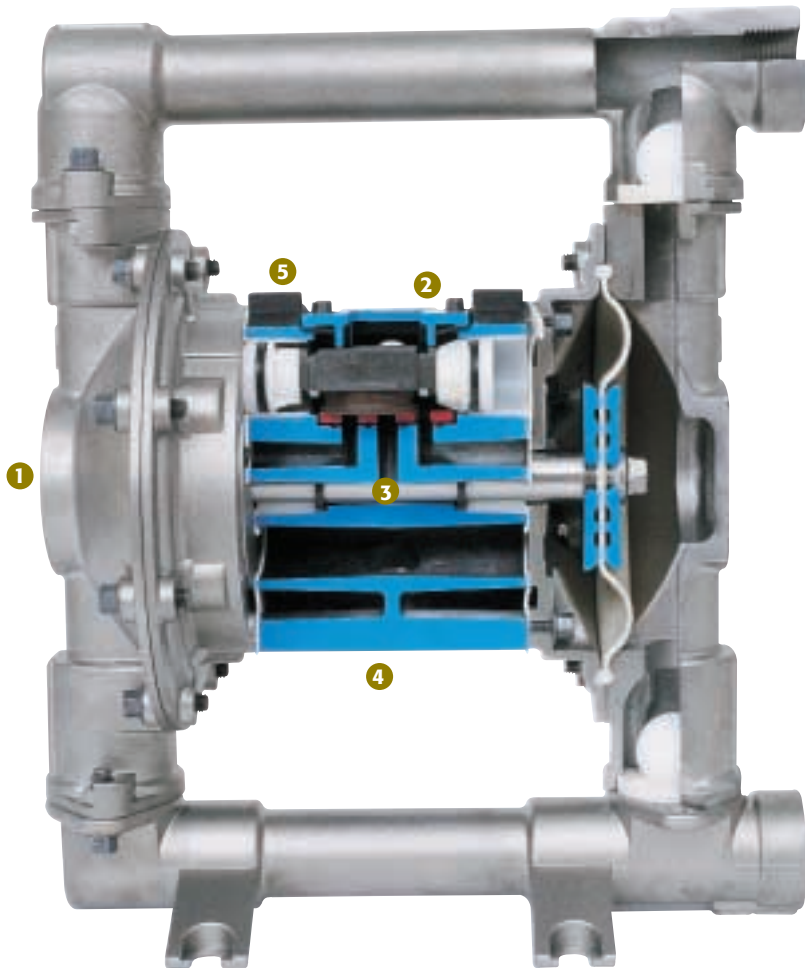
- Hydrofluoric acid
- Phosphoric acid
- Nitric acid
- Nickel sulfate
- Hydroxides
- Chlorides
- Surfactants
- Caustic soda
- Lye
- Methylene

Key Applications

- Chemical feed for waste treatment
- Transferring from original container to solution tanks
- Circulate chemicals in plating tanks
- Repackaging of fluids from original container to smaller containers



Product Features



- 1 Bolted design for leak-free pumping and ease of assembly with integrated centering
- 2 Three-way pilot valve for no-stick operation
- 3 Long-lasting 300 Series stainless steel rod design for long life and corrosion resistance
- 4 1", 1 1/2", 2" Corrosion-Resistant pumps use common center sections to reduce inventory
- 5 100% externally serviceable air valve

ADDITIONAL BENEFITS

- Lube-free operation
- Protective Exhaust Port muffles the sound, reducing the decibel output
- Superior air valve reliability with 15-year warranty on center section
- 5-year fluid end warranty
- Flow rates up to 150 gpm (567.8 lpm)
- Rugged exterior construction resists corrosion, prevents leakage

State-of-the-Art Husky Air Valve

Husky Air-Operated Double Diaphragm Pumps feature extremely reliable, externally serviceable air valves that make the Corrosion-Resistant pumps among the best in the industry for ease-of-service and reliability.



Top view of Husky Air Valve

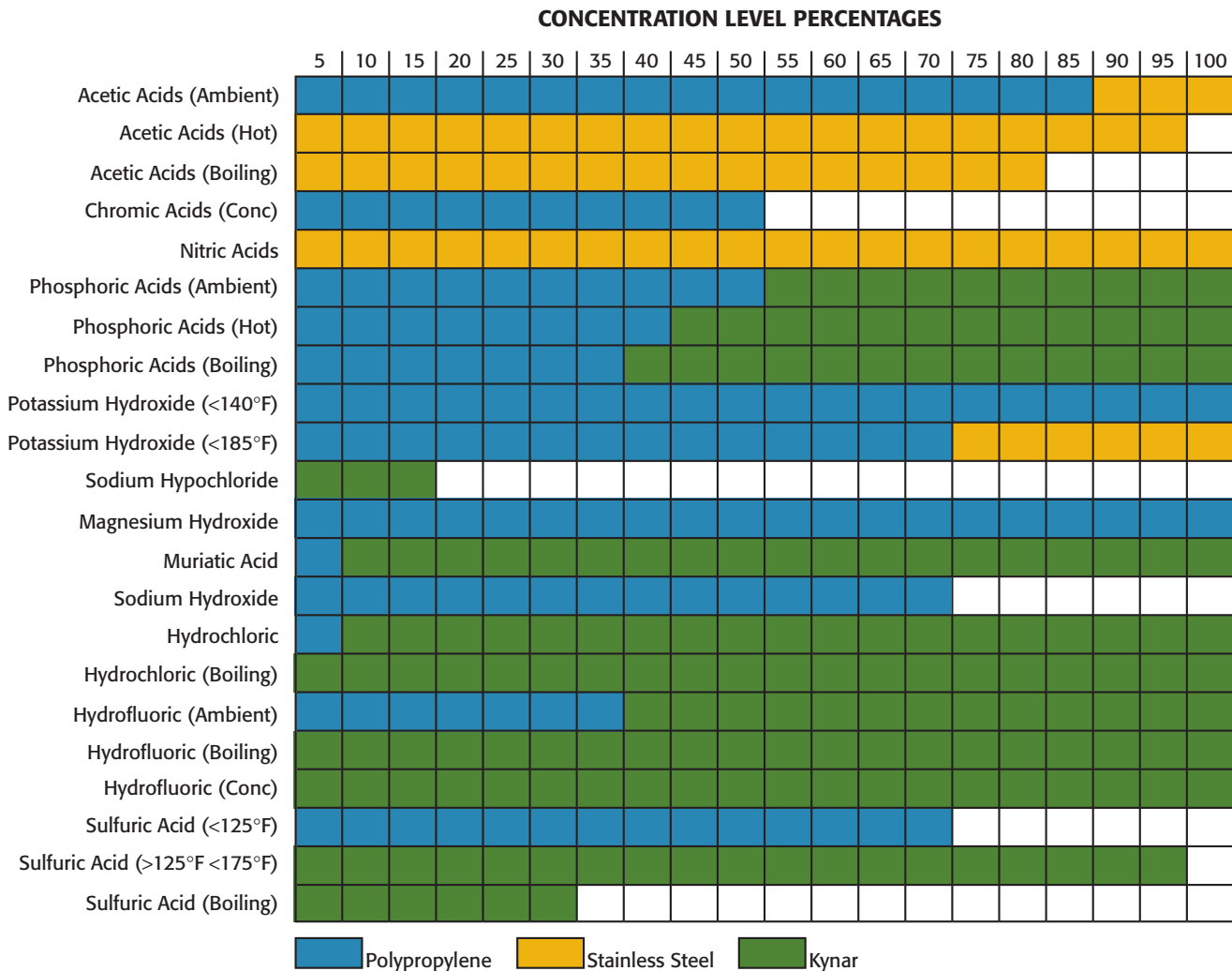
FEATURES AND BENEFITS

- Fewer moving parts means increased durability and less repair time
- Three-way pilot valve for true non-sticking operation
- Externally serviceable for quick, inexpensive repairs
- The elimination of o-rings and a spool valve prevents centering; a common problem with competitive pumps
- Lube-free operation
- Standard and remote air valve for additional application flexibility

Find the right pump for you!

Pump Selection Guide

Use this chart, combined with flow rates found on the facing page, to determine the size of pump and material of construction needed for your specific application.



EXAMPLES:

Choose a Husky Corrosion Resistant pump with **SST construction** for hot Acetic Acids with up to 95% concentration and Nitric Acids at any concentration.

Choose a Husky Corrosion Resistant pump with **Kynar construction** for boiling Phosphoric Acids at 40% concentration or greater and boiling Hydrofluoric Acid at any concentration.

Choose a Husky Corrosion Resistant pump with **Polypropylene construction** for ambient Acetic Acids up to 85% concentration and Magnesium Hydroxide at any concentration.

Three Types of Construction. One Decision.

All of our Husky Corrosion-Resistant pumps offer the reliability and performance you've come to expect from Graco. Every model has a stainless steel center section and is available in Kynar, Poly or SST construction.

Husky 1040 Pumps

DEAL FOR:

Applications requiring a compact portable design, but with high flow rates (40 gpm)

SIZE:

1 in (25.4 mm)
ANSI Flange (Poly & Kynar)
Threaded (SST)

FLOW RATE:

Max. flow: 40 gpm (151 lpm)

FLUID PRESSURE:

Max. pressure: 120 psi (8.4 bar, 0.84 MPa)

1-INCH



**HUSKY 1040
KYNAR**



**HUSKY 1040
POLY**



**HUSKY 1040
STAINLESS**

Husky 1590 Pumps

IDEAL FOR:

Applications requiring higher flow rates (100 gpm), but still desire a more portable pump

SIZE:

1 1/2 in (38.1 mm)
ANSI Flange (Poly & Kynar)
Threaded (SST)

FLOW RATE:

Max. flow: 100 gpm (378 lpm)

FLUID PRESSURE:

Max. pressure: 120 psi (8.4 bar, 0.84 MPa)

1-1/2 INCH



**HUSKY 1590
KYNAR**



**HUSKY 1590
POLY**



**HUSKY 1590
STAINLESS**

Husky 2150 Pumps

IDEAL FOR:

The most demanding applications. Highest flow among Corrosion-Resistant pumps (150 gpm)

SIZE:

2 in (50.8 mm)
ANSI Flange (Poly & Kynar)
Threaded (SST)

FLOW RATE:

Max. flow: 150 gpm (568 lpm)

FLUID PRESSURE:

Max. pressure: 120 psi (8.4 bar, 0.84 MPa)

2-INCH



**HUSKY 2150
KYNAR**



**HUSKY 2150
POLY**



**HUSKY 2150
STAINLESS**

The Graco Advantage

Built to Last



BOLTED CONSTRUCTION

The standard bolted design provides ease-of-service and eliminates leakage associated with traditional clamp style pumps.



FULL FLOW DIAPHRAGM, BALLS AND SEATS

A wide range of full-flow diaphragms, seat and ball options ensure fluid compatibility for maximum efficiency, long life and better suction lift.



STANDARD AND REMOTE CONTROL CAPABILITIES

Husky pumps give you the choice between standard systems that feature uncontrolled flow rates, and remote-controlled pumps that offer controlled flow rates and running times.

Longest Warranty available for Air-Operated Double Diaphragm Pumps

Graco is so confident in the design of our products and the manufacturing process, we have extended the warranty period to 5 years on the fluid end and to 15 years on the center sections. Most competitors with similar products only offer a 1-year warranty.

This means you can look forward to years of reliable service with Graco Corrosion-Resistant Pumps.

High Flow Rates Provide Faster Evacuation Time

Our diaphragm pumps offer flow rates 25-55% greater than many competitive pumps with Teflon® diaphragms. As a result, Graco pumps offer the advantage of either running slower while maintaining equal evacuation times, or allowing you to increase production rates without having to go to a larger pump.

Simply the Best Choice

Graco is making it easy to select a pump that is right for you, by offering the most complete line of Corrosion-Resistant pumps available. Our Husky Air Valves make Graco pumps the best in the industry for ease-of-service and reliability.

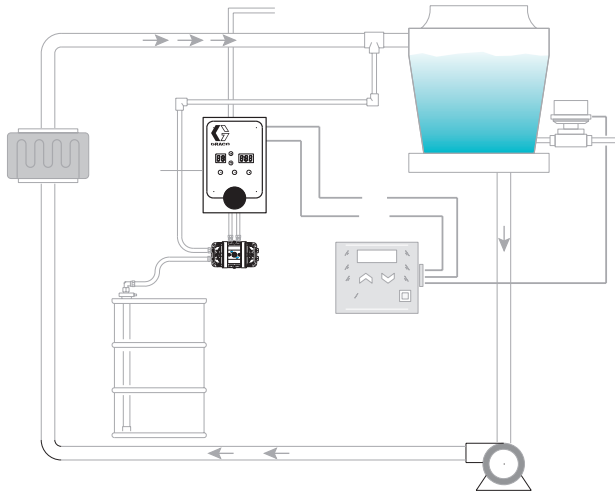
For additional flexibility, the Husky Corrosion-Resistant pumps are available Kynar, Poly and SST construction, and offer both standard and remote air valves.

When it comes to the variety of features, sizes and materials of construction available, the choice is clearly Graco.

Precise Control of Fluids

CYCLEFLO™

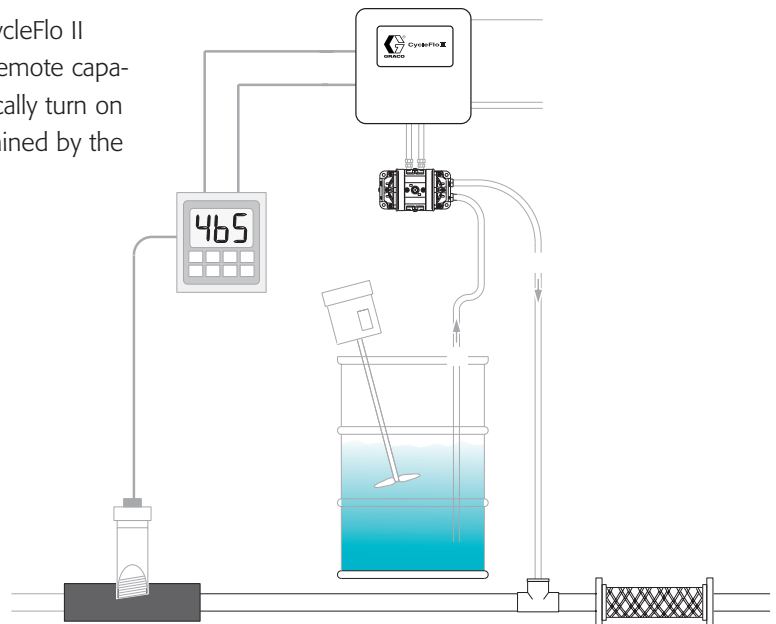
Graco CycleFlo™ Controllers allow precise control over pump speed, run time and quantity of product delivered by the pump, allowing various materials to be batched in simultaneously. CycleFlo Controllers also allow pumps to run at high fluid pressures, with low flow rates without any downstream regulation.



All other equipment shown with CycleFlo is for system diagram example purposes only.

CYCLEFLO™ II

For a simpler, more economical alternative, the CycleFlo II Controller offers an adjustable pump speed and remote capabilities. It is used with remote pumps to automatically turn on or shut off, and run at a variable speed predetermined by the operator.



Choose Graco

Graco's Air Valves are Extremely Reliable and Easy to Service

All Husky™ Air-Operated Double Diaphragm pumps feature a simple, exceptionally reliable air valve that makes the Corrosion-Resistant line of pumps among the best in the business.

Not only will you save money on labor and repairs, but you will also save time because Graco air valves are less likely to stall or stick.



RETURN-ON-INVESTMENT – HUSKY AIR VALVE

Use this exclusive cost of ownership analysis tool to see how much you save based on the reliability and serviceability of the Husky Air Valve.

	EXAMPLE ESTIMATE		ACTUAL ESTIMATE	
	Typical Air Valve	Husky Air Valve	Enter Your Labor Information Here	Husky Air Valve
Labor Savings				
Time to Repair Air Valve	90 min.	15 min.	<input type="text"/>	<input type="text"/>
Number of Rebuilds	2	1	<input type="text"/>	<input type="text"/>
Labor Rate per hour	\$45.00	\$45.00	<input type="text"/>	<input type="text"/>
Annual Labor Cost	\$135.00	\$11.25	<input type="text"/>	<input type="text"/>
Annual Labor Savings (per pump)	\$123.75		<input type="text"/>	

	Typical Air Valve	Husky Air Valve	Enter Your Repair Information Here	Husky Air Valve
Repair Part Savings				
Total Cost of Air Valve Repair Parts	\$130.00	\$40.00	<input type="text"/>	<input type="text"/>
Number of Repairs	2	1	<input type="text"/>	<input type="text"/>
Annual Repair Part Costs	\$260.00	\$40.00	<input type="text"/>	<input type="text"/>
Annual Repair Part Savings	\$220.00		<input type="text"/>	
Total Annual Cost of Ownership Savings*	\$343.75		<input type="text"/>	

* Savings are based on the repair of one pump.

When Performance Counts

Many competitors derate their teflon diaphragms as much as 25-55% and then slow the pumps even further by adding a muffler. All Husky Corrosion-Resistant pumps maintain full-flow performance, regardless of the type of diaphragm material or existence of a muffler, allowing the Graco Husky pumps to significantly reduce operating time, and/or increase production rates.

RETURN-ON-INVESTMENT – HUSKY DIAPHRAGM PUMP

Use this exclusive cost of ownership analysis tool to see what affect the high output of Husky Corrosion-Resistant Diaphragm pumps have on your facility.

Performance Advantage	<u>EXAMPLE ESTIMATE</u>		<u>ACTUAL ESTIMATE</u>	
	Typical 2" Diaphragm Pump	Husky 2" Diaphragm Pump	Enter Your Performance Information Here	Husky Diaphragm Pump
Flow Rate (gpm)	150	150	<input type="text"/>	<input type="text"/>
Reduction when using Teflon	38	0	<input type="text"/>	<input type="text"/>
Reduction for muffler	30	0	<input type="text"/>	<input type="text"/>
Actual flow rate (gpm)	82	150	<input type="text"/>	<input type="text"/>
Performance Advantage	83%		<input type="text"/>	

Husky pumps produce approximately 80% more flow, significantly increasing production rates. This means our pumps run 55% slower to produce the same flow rates as the competition. As a result, operating time can be significantly reduced and you can expect fewer repairs – reducing maintenance costs by 55%.

Maintenance Savings	<u>EXAMPLE ESTIMATE</u>		<u>ACTUAL ESTIMATE</u>	
	Typical 2" Diaphragm Pump	Husky 2" Diaphragm Pump	Enter Your Performance Information Here	Husky Diaphragm Pump
Annual Labor Cost*	\$1,800	\$1,800	<input type="text"/>	<input type="text"/>
Annual Repair Part Costs**	\$15,000	\$15,000	<input type="text"/>	<input type="text"/>
Performance Improvement	0%	55%	<input type="text"/>	<input type="text"/>
Total Annual Maintenance Costs	\$16,800	\$9,240	<input type="text"/>	<input type="text"/>
Annual Maintenance Savings	\$7,560		<input type="text"/>	

* Costs are based on \$40.00/hour labor rate and 1.5 hours of repair time to repair 30 pumps.

** Costs are based on the repair of 30 pumps/year and \$500.00 per repair.

Technical Specifications and Ordering Information

Husky 1040 Corrosion Resistant Pump

Technical Specifications

Maximum fluid working pressure	120 psi (8.4 bar, 0.84 MPa)
Maximum free flow delivery*	40 gpm (151 lpm)
Maximum pump speed	276 cpm
Displacement per cycle**	0.15 gallon (0.57 liter)
Maximum suction lift (DR2888)	18 ft (5.4 m) wet or dry
Maximum size pumpable solids	0.125 in (3.2 mm)
Maximum diaphragm operating temperature***	
Teflon	220°F (104.4°C)
Santoprene	180°F (82.2°C)
Buna-N	180°F (82.2°C)
Viton	250°F (121°C)
Typical sound level at 70 psi air (0.49 bar, 4.9 MPa) air @ 50 cpm	78 dBA
Maximum air consumption	60 scfm (1.7 m ³ /min)
Air pressure operating range	20 to 120 psi (1.4 to 8.4 bar, 0.14 to 0.84 MPa)
Air inlet size	1/2 npt(f)
Fluid inlet & outlet size	1 in (25.4 mm) ANSI flange (Poly & Kynar) .1 in (25.4 mm) threaded SST
Weight	
SST	47 lb (22 kg)
Poly	19 lb (8.6 kg)
Kynar	25 lb (11.3 kg)
Instruction manual	
SST	308479
Poly/Kynar	308443

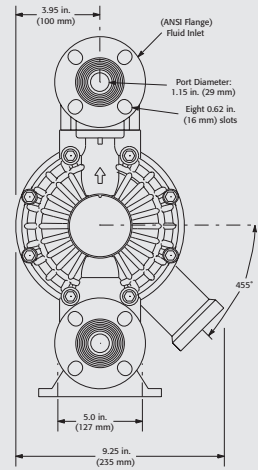
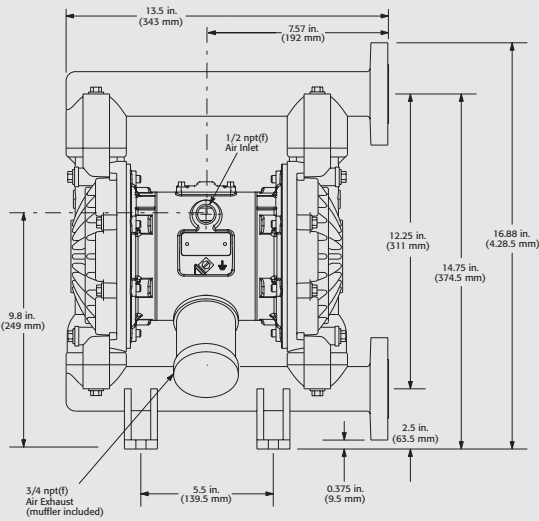
* Flow rates are with muffler and do not vary based on diaphragm material.

** Displacement per cycle may vary based on suction condition, discharge head, air pressure and fluid type.

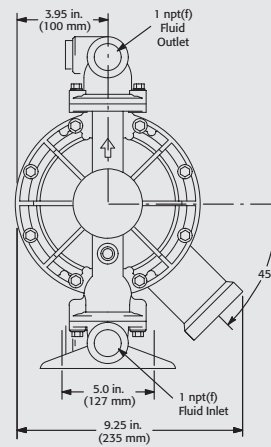
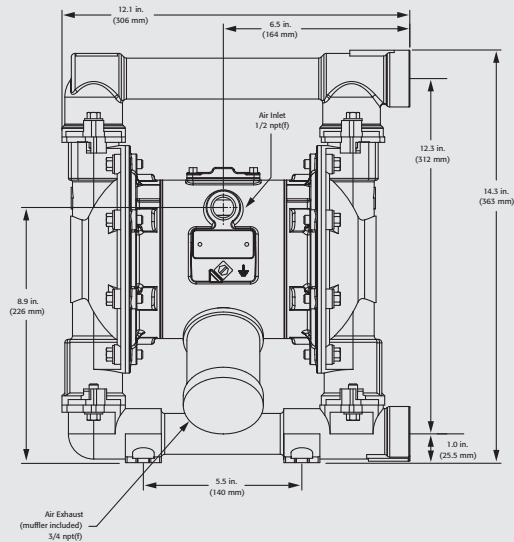
*** Actual pump performance may be affected by prolonged usage at temperature.

SST Center Section		BSPP		Seats	Balls	Diaphragms
Standard Air Valve	Remote Air Valve	Standard Air Valve	Remote Air Valve			
DR2311	DS2311			Stainless Steel	Teflon	Teflon
DR2337	DS2337			Stainless Steel	Stainless Steel	Buna-N
DR2366	DS2366			Stainless Steel	Santoprene	Santoprene
DR2377	DS2377			Stainless Steel	Buna-N	Buna-N
DR2388	DS2388			Stainless Steel	Viton	Viton
DR2666	DS2666			Santoprene	Santoprene	Santoprene
DR2811	DS2811			Viton	Teflon	Teflon
DR2888	DS2888			Viton	Viton	Viton
DR2911	DS2911			Polypropylene	Teflon	Teflon
DR2966	DS2966			Polypropylene	Santoprene	Santoprene
DR2977	DS2977			Polypropylene	Buna-N	Buna-N
DR2988	DS2988			Polypropylene	Viton	Viton
DR2A11	DS2A11			Kynar	Teflon	Teflon
DR2A88	DS2A88			Kynar	Viton	Viton
DR4311	DS4311	DRD311	DSD311	Stainless Steel	Teflon	Teflon
DR4337	DS4337	DRD337	DSD337	Stainless Steel	Stainless Steel	Buna-N
DR4347	DS4347	DRD347	DSD347	Stainless Steel	Hardened SST	Buna-N
DR4366	DS4366	DRD366	DSD366	Stainless Steel	Santoprene	Santoprene
DR4377	DS4377	DRD377	DSD377	Stainless Steel	Buna-N	Buna-N
DR4388	DS4388	DRD388	DSD388	Stainless Steel	Viton	Viton
DR4441	DS4441	DRD441	DSD441	Hardened SST	Hardened SST	Teflon
DR4666	DS4666	DRD666	DSD666	Santoprene	Santoprene	Santoprene
DR4811	DS4811	DRD811	DSD811	Viton	Teflon	Teflon
DR4888	DS4888	DRD888	DSD888	Viton	Viton	Viton
DR4911	DS4911	DRD911	DSD911	Polypropylene	Teflon	Teflon
DR4988	DS4988	DRD988	DSD988	Polypropylene	Viton	Viton
DR4A11	DS4A11	DRDA11	DSDA11	Kynar	Teflon	Teflon
DR4A88	DS4A88	DRDA88	DSDA88	Kynar	Viton	Viton
DR5311	DS5311			Stainless Steel	Teflon	Teflon
DR5811	DS5811			Viton	Teflon	Teflon
DR5888	DS5888			Viton	Viton	Viton
DR5A11	DS5A11			Kynar	Teflon	Teflon
DR5A88	DS5A88			Kynar	Viton	Viton

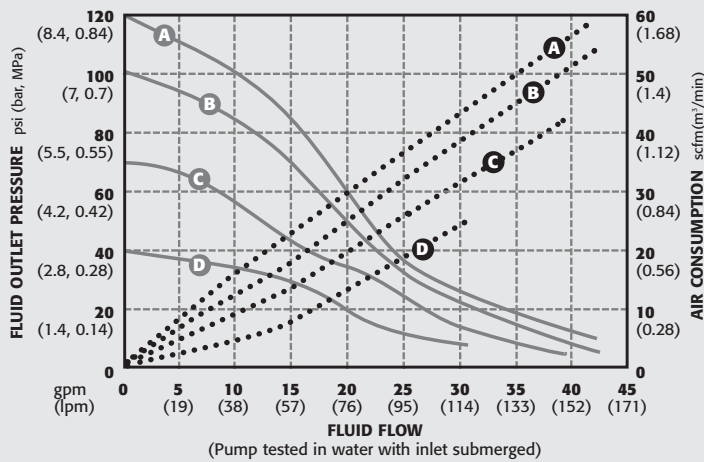
Husky 1040 Polypropylene/Kynar Dimensions



Husky 1040 Stainless Steel Dimensions



Husky 1040 Performance Chart



How to use this chart:

- Step 1:** Locate the required fluid flow rate along bottom axis of chart.
- Step 2:** Follow vertical line to the intersection with the solid curve (A, B or C – based on your air inlet pressure).
- Step 3:** Follow to left axis to read fluid outlet pressure.
- Step 4:** From Step 2, follow vertical line up or down to the intersection with the dotted line (A, B or C – based on your air inlet pressure) then follow to right axis to read air consumption.

Example*

With a Husky 2150 pump, to obtain 80 gpm (302.8 lpm) at approximately 50 psi (3.4 bar, 0.34 MPa), you will need 100 psi (7.0 bar, 0.7 MPa) of air pressure. The air consumption will be approximately 70 scfm.

AIR PRESSURES	LEGEND
(A) = at 120 psi (8.4 bar, 0.84 MPa)	Air Consumption Fluid Flow ———
(B) = at 100 psi (7 bar, 0.7 MPa)	
(C) = at 75 psi (4.8 bar, 0.48 MPa)	
(D) = at 40 psi (2.8 bar, 0.28 MPa)	

Technical Specifications and Ordering Information

Husky 1590 Corrosion Resistant Pump

Technical Specifications

Maximum fluid working pressure	120 psi (8.4 bar, 0.84 MPa)
Maximum free flow delivery*	100 gpm (378.5 lpm)
Maximum pump speed	200 cpm
Displacement per cycle**	0.5 gallon (1.96 liter)
Maximum suction lift (DBS666)	18 ft (5.48 m) wet or dry
Maximum size pumpable solids	3/16 in (4.8 mm)
Maximum diaphragm operating temperature***	
Teflon	200°F (93.3°C)
SST	150°F (65.5°C)
Poly and Kynar	150°F (65.5°C)
Typical sound level	
at 70 psi air (4.9 bar, 0.49 MPa) air @ 50 cpm	72 dBa
Maximum air consumption	125 scfm (3.5 m ³ /min)
Air pressure operating range	20 to 120 psi (1.4 to 8.4 bar, 0.14 to 0.84 MPa)
Air inlet size	1/2 npt(f)
Fluid inlet & outlet size	1-1/2 in (38.1 mm) ANSI flange (Poly & Kynar) 1-1/2 in (38.1 mm) threaded SST
Weight	
SST	85 lb (38.6 kg)
Poly	35 lb (16 kg)
Kynar	49 lb (22 kg)
Instruction manual	
SST	308441
Poly/Kynar	308349

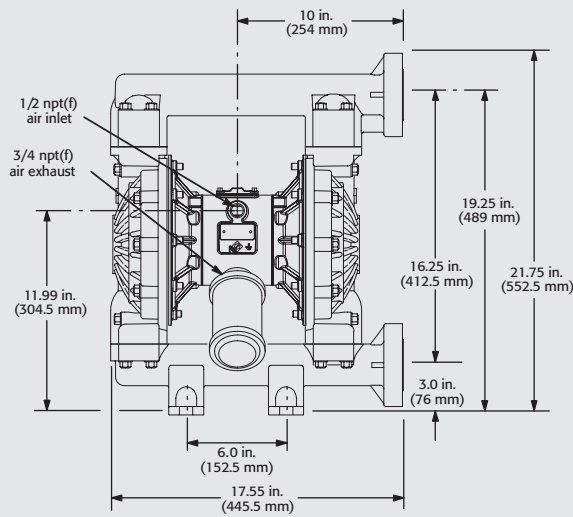
* Flow rates are with muffler and do not vary based on diaphragm material.

** Displacement per cycle may vary based on suction condition, discharge head, air pressure and fluid type.

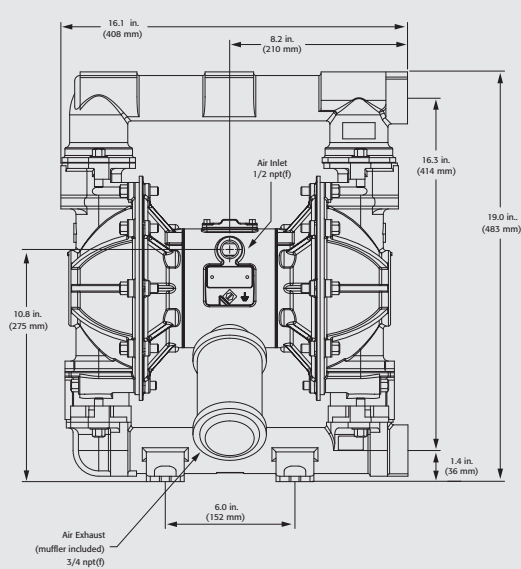
*** Actual pump performance may be affected by prolonged usage at temperature.

SST Center Section		BSPP		Seats	Balls	Diaphragms
Standard Air Valve	Remote Air Valve	Standard Air Valve	Remote Air Valve			
DT2311	DU2311			Stainless Steel	Teflon	Teflon
DT2341	DU2341			Stainless Steel	Hardened SST	Teflon
DT2347	DU2347			Stainless Steel	Hardened SST	Buna-N
DT2377	DU2377			Stainless Steel	Buna-N	Buna-N
DT2388	DU2388			Stainless Steel	Viton	Viton
DT2666	DU2666			Santoprene	Santoprene	Santoprene
DT2811	DU2811			Viton	Teflon	Teflon
DT2888	DU2888			Viton	Viton	Viton
DT2911	DU2911			Polypropylene	Teflon	Teflon
DT2966	DU2966			Polypropylene	Santoprene	Santoprene
DT2977	DU2977			Polypropylene	Buna-N	Buna-N
DT2988	DU2988			Polypropylene	Viton	Viton
DT4311	DU4311	DTD311	DUD311	Stainless Steel	Teflon	Teflon
DT4341	DU4341	DTD341	DUD341	Stainless Steel	Hardened SST	Teflon
DT4347	DU4347	DTD347	DUD347	Stainless Steel	Hardened SST	Buna-N
DT4377	DU4377	DTD377	DUD377	Stainless Steel	Buna-N	Buna-N
DT4388	DU4388	DTD388	DUD388	Stainless Steel	Viton	Viton
DT4666	DU4666	DTD666	DUD666	Santoprene	Santoprene	Santoprene
DT4811	DU4811	DTD811	DUD811	Viton	Teflon	Teflon
DT4888	DU4888	DTD888	DUD888	Viton	Viton	Viton
DT4911	DU4911	DTD911	DUD911	Polypropylene	Teflon	Teflon
DT4966	DU4966	DTD966	DUD966	Polypropylene	Santoprene	Santoprene
DT4977	DU4977	DTD977	DUD977	Polypropylene	Buna-N	Buna-N
DT5311				Stainless Steel	Teflon	Teflon
DT5811	DU5811			Viton	Teflon	Teflon
DT5888	DU5888			Viton	Viton	Viton
DT5A11	DU5A11			Kynar	Teflon	Teflon
DT5A88				Kynar	Viton	Viton

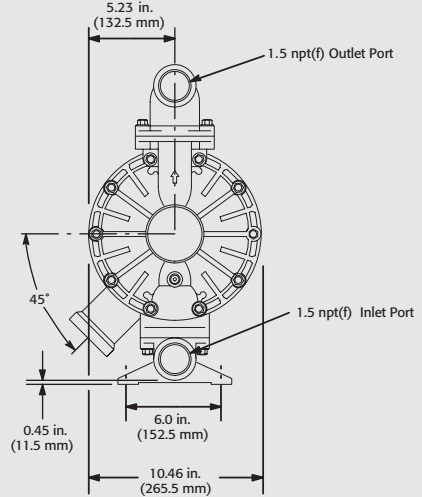
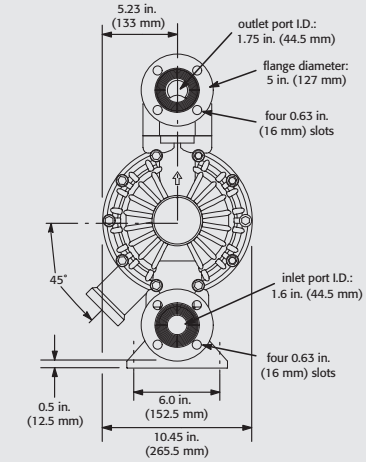
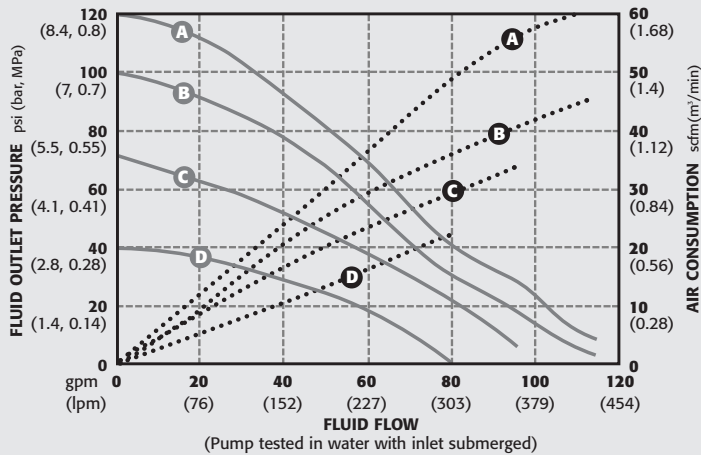
Husky 1590 Polypropylene/Kynar Dimensions



Husky 1590 Stainless Steel Dimensions



Husky 1590 Performance Chart



How to use this chart:

- Step 1:** Locate the required fluid flow rate along bottom axis of chart.
- Step 2:** Follow vertical line to the intersection with the solid curve (A, B or C – based on your air inlet pressure).
- Step 3:** Follow to left axis to read fluid outlet pressure.
- Step 4:** From Step 2, follow vertical line up or down to the intersection with the dotted line (A, B or C – based on your air inlet pressure) then follow to right axis to read air consumption.

Example*

With a Husky 2150 pump, to obtain 80 gpm (302.8 lpm) at approximately 50 psi (3.4 bar, 0.34 MPa), you will need 100 psi (7.0 bar, 0.7 MPa) of air pressure. The air consumption will be approximately 70 scfm.

AIR PRESSURES	LEGEND
(A) = at 120 psi (8.4 bar, 0.84 MPa)	Air Consumption Fluid Flow —
(B) = at 100 psi (7 bar, 0.7 MPa)	
(C) = at 75 psi (4.8 bar, 0.48 MPa)	
(D) = at 40 psi (2.8 bar, 0.28 MPa)	

Technical Specifications and Ordering Information

Husky 2150 Corrosion Resistant Pump

Technical Specifications

Maximum fluid working pressure	120 psi (8.4 bar, 0.84 MPa)
Maximum free flow delivery*	150 gpm (568 lpm)
Maximum pump speed	145 cpm
Displacement per cycle**	1.03 gallon (3.90 liter)
Maximum suction lift (DV2666)	18 ft (5.4 m) wet or dry
Maximum size pumpable solids	1/4 in (6.3 mm)
Maximum diaphragm operating temperature***	
Teflon	220°F (104.4°C)
Santoprene	180°F (82.2°C)
Buna-N	180°F (82.2°C)
Viton	250°F (121°C)
Typical sound level	
at 70 psi air (4.9 bar, 0.49 MPa) air @ 50 cpm	85 dBa
Maximum air consumption	175 scfm (4.9 m ³ /min)
Air pressure operating range	20 to 120 psi (1.4 to 8.4 bar, 0.14 to 0.84 MPa)
Air inlet size	1/2 npt(f)
Fluid inlet & outlet size	2 in (50.8 mm) ANSI flange (Poly & Kynar) .2 in (50.8 mm) threaded SST
Weight	
SST	111 lb (50.3 kg)
Poly	49 lb (22 kg)
Kynar	68 lb (31 kg)
Instruction manual	
SST	308368
Poly/Kynar	308550

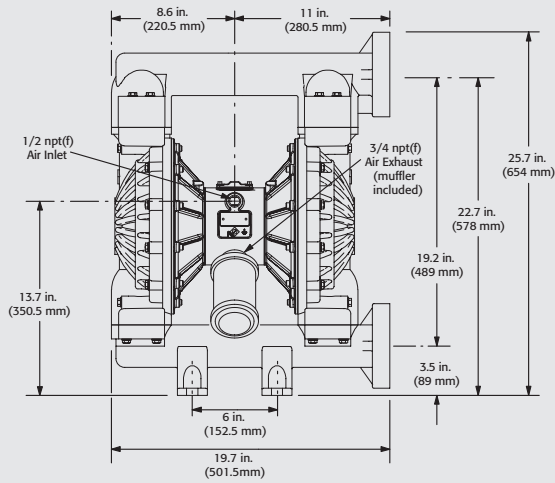
* Flow rates are with muffler and do not vary based on diaphragm material.

** Displacement per cycle may vary based on suction condition, discharge head, air pressure and fluid type.

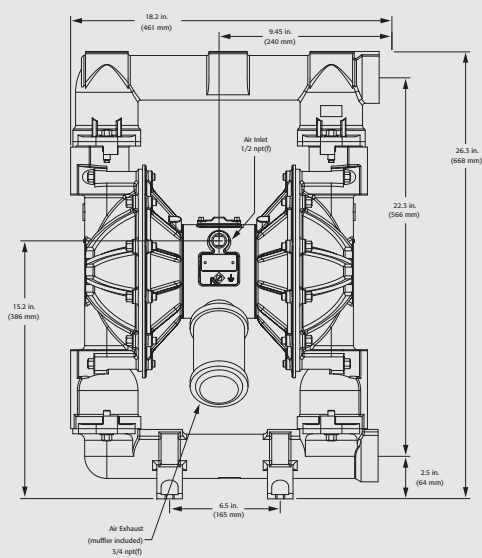
*** Actual pump performance may be affected by prolonged usage at temperature.

SST Center Section		BSPP		Seats	Balls	Diaphragms
Standard Air Valve	Remote Air Valve	Standard Air Valve	Remote Air Valve			
DV2311	DW2311			Stainless Steel	Teflon	Teflon
DV2341	DW2341			Stainless Steel	Hardened SST	Teflon
DV2347	DW2347			Stainless Steel	Hardened SST	Buna-N
DV2377	DW2377			Stainless Steel	Buna-N	Buna-N
DV2666	DW2666			Stainless Steel	Santoprene	Santoprene
DV2811	DW2811			Viton	Teflon	Teflon
DV2888	DW2888			Viton	Viton	Viton
DV2911	DW2911			Polypropylene	Teflon	Teflon
DV2966	DW2966			Polypropylene	Santoprene	Santoprene
DV2977	DW2977			Polypropylene	Buna-N	Buna-N
DV2988	DW2988			Polypropylene	Viton	Viton
DV2A11	DW2A11			Kynar	Teflon	Teflon
DV2A88	DW2A88			Kynar	Viton	Viton
DV4311	DW4311			Stainless Steel	Teflon	Teflon
DV4341	DW4341	DVD341	DWD341	Stainless Steel	Hardened SST	Teflon
DV4347	DW4347	DVD347	DWD347	Stainless Steel	Hardened SST	Buna-N
DV4366	DW4366	DVD366	DWD366	Santoprene	Santoprene	Santoprene
DV4377	DW4377	DVD377	DWD377	Stainless Steel	Buna-N	Buna-N
DV4388	DW4388	DVD388	DWD388	Stainless Steel	Viton	Viton
DV4666	DW4666	DVD666	DWD666	Santoprene	Santoprene	Santoprene
DV4811	DW4811	DVD811	DWD811	Viton	Teflon	Teflon
DV4888	DW4888	DVD888	DWD888	Viton	Viton	Viton
DV4911	DW4911	DVD911	DWD911	Polypropylene	Teflon	Teflon
DV4966	DW4966	DVD966	DWD966	Polypropylene	Santoprene	Santoprene
DV4977	DW4977	DVD977	DWD977	Polypropylene	Buna-N	Buna-N
DV4A11	DW4A11	DVDA11	DWDA11	Kynar	Teflon	Teflon
DV4A88	DW4A88	DVDA88	DWDA88	Kynar	Viton	Viton
DV5311	DW5311			Stainless Steel	Teflon	Teflon
DV5811	DW5811			Viton	Teflon	Teflon
DV5888	DW5888			Viton	Viton	Viton
DV5A11	DW5A11			Kynar	Teflon	Teflon
DV5A88	DW5A88			Kynar	Viton	Viton

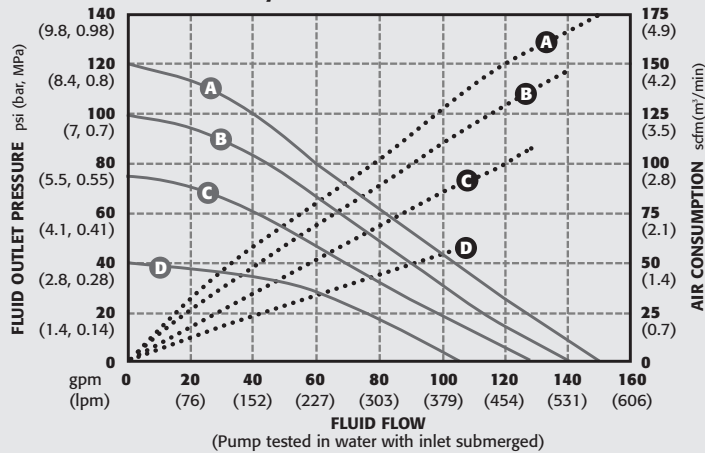
Husky 2150 Polypropylene/Kynar Dimensions



Husky 2150 Stainless Steel Dimensions



Husky 2150 Performance Chart



How to use this chart:

- Step 1:** Locate the required fluid flow rate along bottom axis of chart.
- Step 2:** Follow vertical line to the intersection with the solid curve (A, B or C – based on your air inlet pressure).
- Step 3:** Follow to left axis to read fluid outlet pressure.
- Step 4:** From Step 2, follow vertical line up or down to the intersection with the dotted line (A, B or C – based on your air inlet pressure) then follow to right axis to read air consumption.

Example*

With a Husky 2150 pump, to obtain 80 gpm (302.8 lpm) at approximately 50 psi (3.4 bar, 0.34 MPa), you will need 100 psi (7.0 bar, 0.7 MPa) of air pressure. The air consumption will be approximately 70 scfm.

AIR PRESSURES	LEGEND
A = at 120 psi (8.4 bar, 0.84 MPa)	Air Consumption
B = at 100 psi (7 bar, 0.7 MPa)	Fluid Flow —
C = at 75 psi (4.8 bar, 0.48 MPa)	
D = at 40 psi (2.8 bar, 0.28 MPa)	

ABOUT GRACO

PROVEN QUALITY. LEADING TECHNOLOGY.

Founded in 1926, Graco is a world leader in fluid handling systems and components. Graco products move, measure, control, dispense and apply a wide range of fluids and viscous materials used in vehicle lubrication, commercial and industrial settings.

The company's success is based on its unwavering commitment to technical excellence, world-class manufacturing and unparalleled customer service. Working closely with qualified distributors, Graco offers systems, products and technology which set the quality standard in a wide range of fluid handling solutions. Graco provides equipment for spray finishing, protective coating, paint circulation, lubrication, and dispensing sealants and adhesives, along with power application equipment for the contractor industry. Graco's ongoing investment in fluid management and control will continue to provide innovative solutions to a diverse global market.

GRACO HEADQUARTERS

AMERICAS

MINNESOTA
Worldwide Headquarters
Graco Inc.
88-11th Avenue N.E.
Minneapolis, MN 55413

MAILING ADDRESS
P.O. Box 1441
Minneapolis, MN 55440-1441
Tel 612 623-6000
Fax 612 623-6777

MICHIGAN
Automotive Headquarters
and Sales Office
47800 Halyard Drive
Plymouth, MI 48170
Tel 734 416-3400
Fax 734 416-3441

EUROPE

BELGIUM
European Headquarters
Graco N.V.
Industrieterrein - Oude Bunders
Slakweidestraat 31
3630 Maasmechelen, Belgium
Tel 32 89 770 700
Fax 32 89 770 777

ASIA PACIFIC

JAPAN
Graco K.K.
1-27-12 Hayabuchi
Tsuzuki-ku
Yokohama City, Japan 2240025
Tel 81 45 593 7300
Fax 81 45 593 7301

CHINA
Graco Hong Kong Ltd.
Representative Office
Room 118 1st Floor
No. 2 Xin Yuan Building
No. 509 Cao Bao Road
Shanghai, P.R.China 200233
Tel 86 21 649 50088
Fax 86 21 649 50077

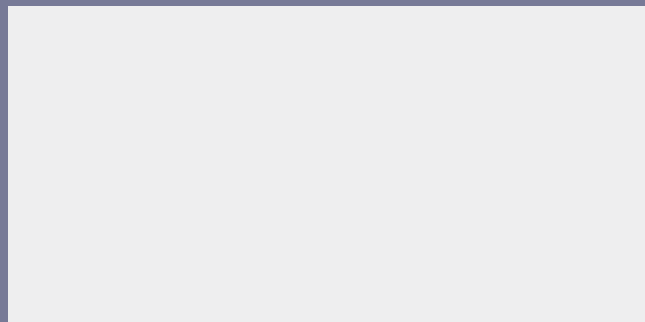
KOREA
Graco Korea Inc.
3rd Fl., Doorim Bldg.
164-21 Poi-Dong,
Kangnam-Ku
Seoul, Korea 135-260
Tel 82 2 575-8901
Fax 82 2 571-9422

Call today for product information or to request a demonstration.

1.877.84GRACO (1-877-844-7226) or visit us at www.graco.com.

All written and visual data contained in this document are based on the latest product information available at the time of publication. Graco reserves the right to make changes at any time without notice.

Graco Inc. is registered to I.S. EN ISO 9001



Sales/Distribution/Service North America

Industrial Customer Service
800-328-0211
FAX 877-340-6427
Industrial Product Information/Demonstration
1-877-84GRACO (1-877-844-7226)
FAX 612-378-3597

GRACO INC.
P.O. Box 1441
Minneapolis, MN 55440-1441

