

# Automatic Dispense Valves

## Ordering Information | Technical Specifications

### Standard-Duty Dispense Valves

Maximum working pressure: 3000 psi (210 bar; 21.0 MPa).  
 Orifice tip: 1/8 in. (3.1 mm). Other tips available from 1/16 to 1/3 in. (1.5 to 8.4 mm). Fluid inlet: 3/8 npt(m). Optional fluid inlet (plugged): 1/4 npt(f). Air inlet: 1/4 npsm(m). Fluid outlet: 3/8 npt(m). Includes 0.125 in. (3.1 mm) tip and needle.  
 Instruction Manual: 306715.

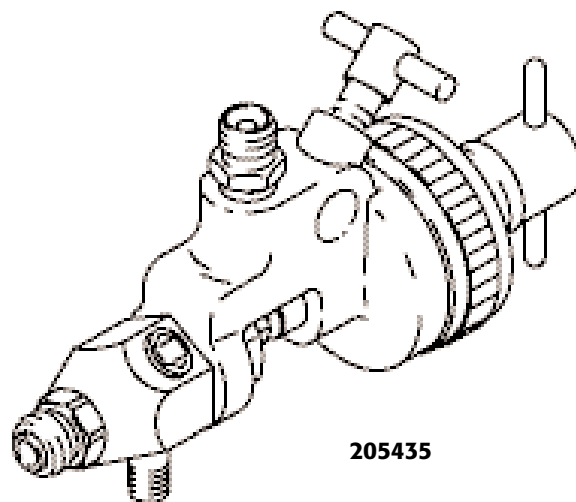
- 205435** Air controlled. 400 Series SST wetted parts. For use with non-abrasive material.
- 207440** Same as 205435 except with Tungsten carbide ball and valve. For use with abrasive material.
- 205612** Same as 205435 less tip and needle.

### Packings

- 181524** UHMWPE packings for 205435 and 205612
- 164116** Leather packings for 205435 or 205612  
 Choose either (2) 181524 and (1) 164116 (standard) or (3) 164116
- 181520** UHMWPE packings for 207440
- 166250** Leather packings for 207440  
 Choose either (2) 181523 and (1) 166258 or (3) 116258  
 Needle/Seat Sets for 205435 and 205612

### Needle/Seat Options

| Size      | Seat   | Needle |
|-----------|--------|--------|
| 0.062 in. | 164746 | 181525 |
| 0.125 in. | 164747 | 181525 |
| 0.187 in. | 164748 | 181526 |
| 0.250 in. | 164749 | 181526 |
| 0.312 in. | 164750 | 181526 |



205435