

VVM™

## Volume Verification Meter

VVM provides real-time monitoring of dispensing processes.

### Features and Benefits

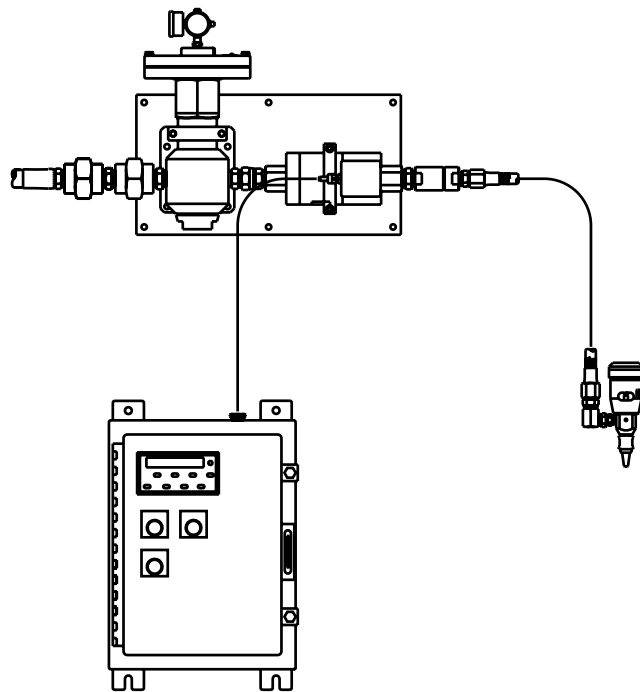
- Simple on/off robotic interface with constant flow rate
- Setable volume verification
- Alarm output for deviation from preset values

### Typical Applications

- Anti-flutter mastic dispensing
- Hem flange adhesive bonding
- Structural adhesive bonding
- Body sealing dispensing
- Interior/exterior seam sealing
- Underbody deadener/rocker coating

### Typical Fluids Handled

- PVC sealant
- Epoxy adhesives
- Body sealants
- Waterborne deadener



970040

**VVM™**

## Volume Verification Meter

### Technical Specifications

Mastic Regulator:

Outlet operating pressure range	250 to 4500 psi (17 to 310 bar; 1.7 to 31 MPa)
Maximum fluid inlet pressure	5000 psi (344 bar; 34.4 MPa)
Maximum flow rate	3000 cc/min. (0.77 gal./min.)
Inlet (1)	3/4 npt(f) at side
Outlets (2)	3/4 npt(f) at side and bottom
Weight	17.7 lbs (7.9 kg)
Wetted parts	zinc-plated CS, brass, SST, Buna-N, urethane, tungsten carbide
Instruction manual (mastic regulator)	307517

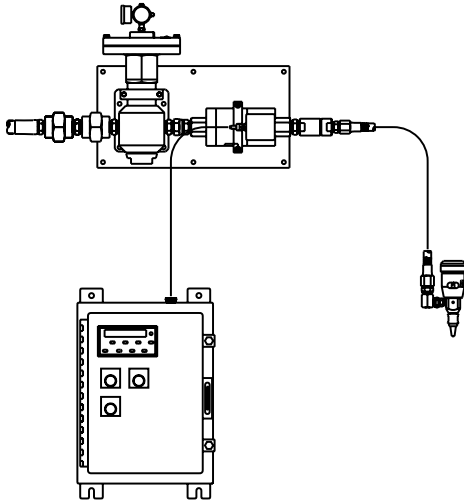
*Teflon® is a registered trademark of Du Pont.*

This chart shows the approximate air pressure needed to regulate the air operated regulator to a given fluid outlet pressure.

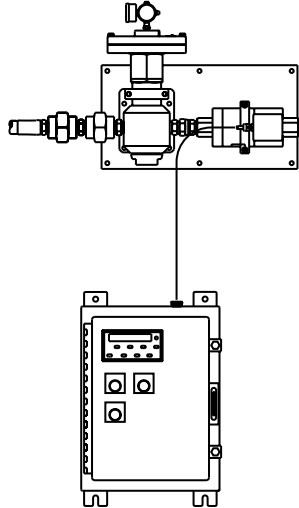
Air Pressure			Regulated Fluid Outlet Pressure		
psi	bar	kPa	psi	bar	MPa
10	0.7	70	500	35	3.5
15	1.0	100	800	55	5.5
20	1.4	140	1100	76	7.6
25	1.7	170	1300	90	9.0
30	2.1	210	1600	110	11.0
40	2.8	280	2100	145	14.5
50	3.5	350	2700	186	18.6
60	4.2	420	3200	221	22.1
70	4.9	490	3800	262	26.2
80	5.6	560	4300	296	29.6

# VVM™

## Volume Verification Meter



**Pre-assembled package for the typical extrusion application**



**VVM module for integration into a unique or user specified application**

### 3

### Ordering Information:

#### Volume Verification Meter/Mastic Regulators

Part No.	Description
970007	<b>VVM/Mastic Regulator, Ambient</b> Includes: fluid hoses, mastic regulator with volume verification, and automatic snuff back dispense valve with nozzle. Designed for use with materials that can be applied within low fluctuating plant temperatures from 70-95°F (21-35°C).
970015	<b>VVM/Mastic Regulator, Ambient</b> Includes: fluid hoses, mastic regulator with volume verification, and automatic snuff back dispense valve with nozzle. Includes power valve on flow meter outlet. Designed for use with materials that can be applied within low fluctuating plant temperatures from 70-95°F (21-35°C).
C59617	<b>VVM/Mastic Regulator, Ambient</b> Includes: mastic regulator with volume verification. Designed for use with materials that can be applied within low fluctuating plant temperatures from 70-95°F (21-35°C).

# VVM™

## Volume Verification Meter

### Temperature Conditioned Modules - Heating and cooling, water traced components

Part No.	Description
970006	<b>VVM/Mastic Regulator, Temperature Conditioned</b> Includes: filter, temperature conditioner with fluid hoses, mastic regulator with volume verification, and temperature conditioned automatic snuff back dispense valve with nozzle. Designed for use with materials that require controlled application temperatures ranging from 60-150°F (16-66°C).
C59607	<b>VVM/Mastic Regulator, Temperature Conditioned</b> Includes: temperature conditioned mastic regulator with volume verification. Designed for use with materials that require controlled application temperatures ranging from 60-150°F (16-66°C).

### Heated Modules - Electrically Heated

Part No.	Description
970008	<b>VVM/Mastic Regulator, Heated</b> Includes: 4-zone control panel, heated fluid hoses, heated mastic regulator with volume verification, and heated automatic snuff back dispense valve with nozzle. Designed for use with materials that can be applied using heat only to condition the material above the plant ambient temperature from 90-150°F (32-66°C)
C59608	<b>VVM/Mastic Regulator, Heated</b> Includes: heated mastic regulator with volume verification. Designed for use with materials that can be applied using heat only to condition the material above the plant ambient temperature from 90-150°F (32-66°C).

### Accessories

Part No.	Description	Technical Specifications
C59547	Single Filter Module	Max. inlet pressure: 5000 psi (34.5 MPa, 345 bar) 1" npt (f) inlet, 1" npt (f) outlet, 30 mesh filter
C59725	Dual Filter module	Max. inlet pressure: 5000 psi (34.5 MPa, 345 bar) 1-1/4" npt (f) inlet, 1" npt (f) outlet, 30 mesh filter
C59603	Temperature Conditioner Includes: 1" x 20' water jacketed hose, 6' zippered hose jacket, VVM jacket, sensor and fittings	Single zone temperature conditioning unit
515217	Filter Repair Kit	Seal kit for filter housing
515220	Filter Element	50 mesh, fits C59547 and C59725
515221	Filter Element	40 mesh, fits C59547 and C5972
515222	Filter Element	30 mesh, fits C59547 and C59725
515224	Filter Element	.060 stab point, fits C59547 and C59725
516715	Filter Element	.040 stab point, fits C59547 and C59725

